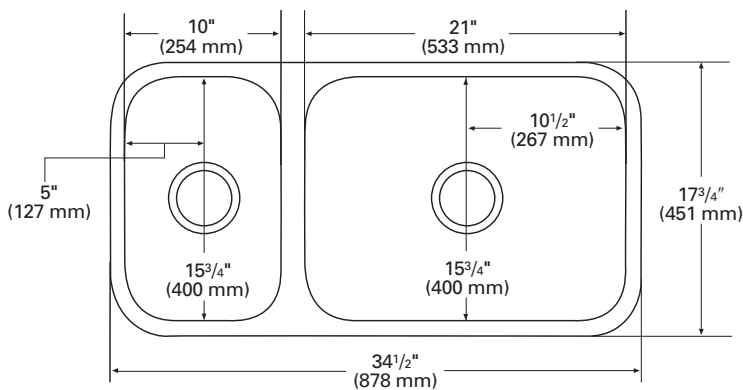


873

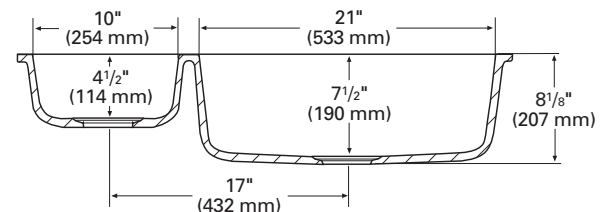
Double Sink

An ample, full-size sink plus food preparation sink offer limitless design possibilities.

- ▶ Workable sink easily accommodates a wok or large pan
- ▶ Reversible design allows small sink to be placed on either the right or left side
- ▶ Seamed undermount installation gives the appearance of two separate sinks
- ▶ Fits into a 36" or larger base cabinet
- ▶ See *Color Options* page at the beginning of Sinks Section for available colors



TOP VIEW



FRONT CROSS-SECTION

873 (SEAMED UNDERMOUNT)

INSIDE SINK DIMENSIONS

	Length	×	Width	×	Depth
inches	10		15 ³ / ₄		4 ¹ / ₂
(mm)	(254)		(400)		(114)
inches	21		15 ³ / ₄		7 ¹ / ₂
(mm)	(533)		(400)		(190)

For an explanation of installation options, see *Installation/Accessories*.

All drain holes in sinks are nominally 3¹/₂" in diameter and accept all standard drain hardware, including waste disposal units.

Metric conversions are approximate.



corian.