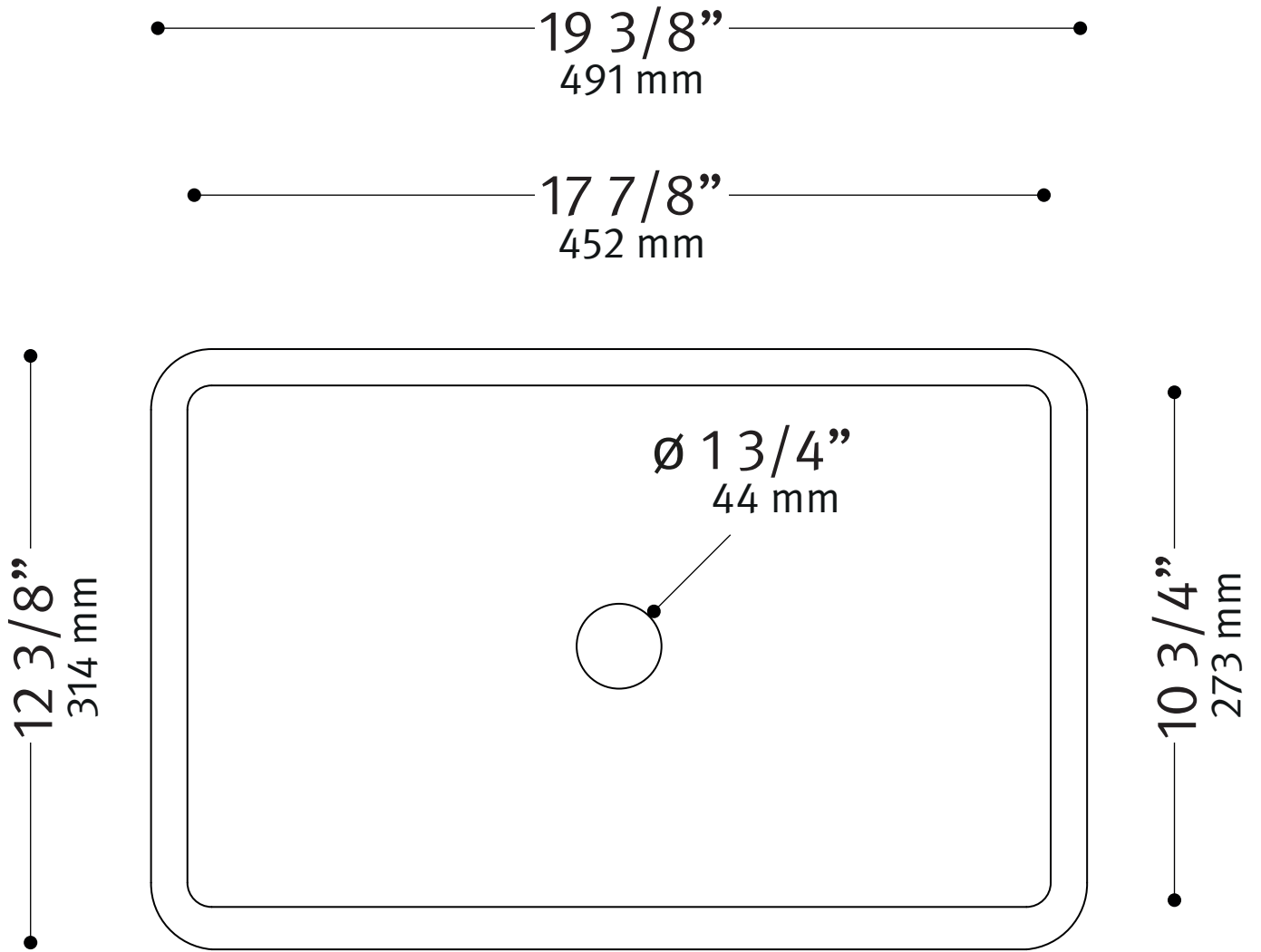


TOP VIEW



CROSS SECTION

